

Ordering Information · Accessories · Spare Parts

Transferpette® electronic

Volume	0.5-10 µl	2-20 µl	10-200 µl	50-1000 µl	250-5000 µl
with AC adapter (100-240V/50-60 Hz)	Cat. No.	Cat. No.	Cat. No.	Cat. No.	Cat. No.
for Continental Europe	7052 99	7053 00	7053 03	7053 06	7053 07
for UK/Ireland	7053 09	7053 10	7053 13	7053 16	7053 17
for USA/Japan	7053 19	7053 20	7053 23	7053 26	7053 27
for Australia	7053 29	7053 30	7053 33	7053 36	7053 37
without AC adapter	7053 39	7053 40	7053 43	7053 46	7053 47

AC adapters (100-240V/50-60 Hz)

	Cat. No.
for Continental Europe	7053 50
for UK/Ireland	7053 51
for USA/Japan	7053 52
for Australia	7053 53

Charging stand with AC adapter for 3 Transferpette® electronic up to 1000 µl

with AC adapter (100-240V/50-60 Hz)	Cat. No.
for Continental Europe	7053 90
for UK/Ireland	7053 91
for USA/Japan	7053 92
for Australia	7053 93

Replacement battery

for Transferpette® electronic

Cat. No.	7055 00
-----------------	---------

Silicon grease

for Transferpette® electronic up to 1000 µl

Cat. No.	7055 02
-----------------	---------

Silicon grease

for Transferpette® electronic 250 - 5000 µl

Cat. No.	7036 77
-----------------	---------

Quality pipette tips from BRAND, non-sterile, PP

Volume	Pack of	Cat. No.
bulk packed		
0.1 - 20 µl	2000	7320 02
0.5 - 20 µl	2000	7320 04
1 - 50 µl	2000	7320 06
2 - 200 µl	1000	7320 08
50 - 1000 µl	1000	7320 12
5 ml	200	7025 95
5 ml	1000	7026 00
5 ml Tip-Box	1 box of 28	7026 05

PLT unit

Pipette leak testing unit

Cat. No.	7039 70
-----------------	---------

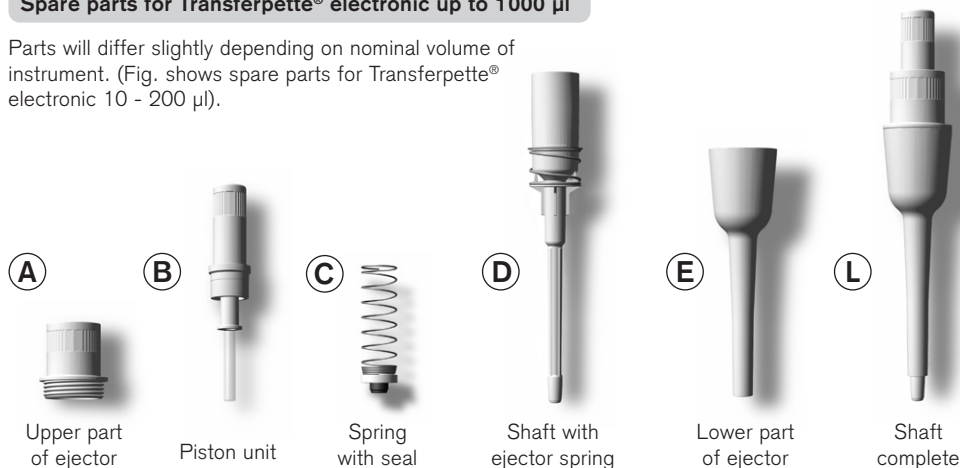
Filter for Transferpette® electronic

5 ml, pack of 25

Cat. No.	7046 52
-----------------	---------

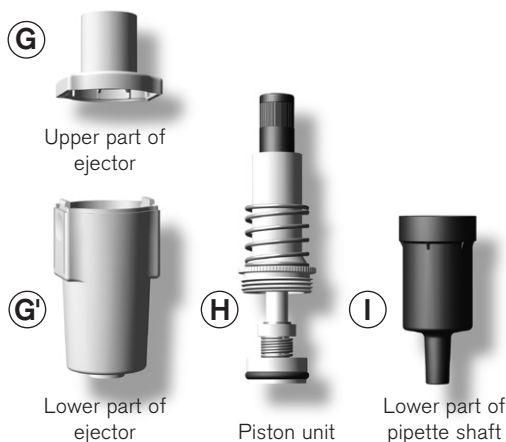
Spare parts for Transferpette® electronic up to 1000 µl

Parts will differ slightly depending on nominal volume of instrument. (Fig. shows spare parts for Transferpette® electronic 10 - 200 µl).



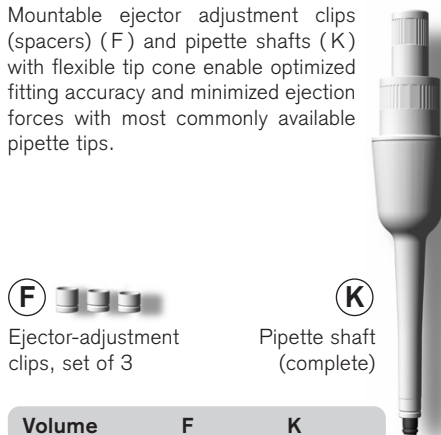
Volume	A	B	C	D	E	L
0.5 - 10 µl	7055 10	7055 18	–	7055 38	7055 48	7055 28
2 - 20 µl	7055 10	7055 20	7055 30	7055 39	7055 50	7055 29
10 - 200 µl	7055 10	7055 22	7055 32	7055 37	7055 53	7055 46
50 - 1000 µl	7055 10	7055 24	7055 34	7055 41	7055 55	7055 47

Spare parts for Transferpette® electronic 250-5000 µl



Accessories for Transferpette® electronic 10-200 µl and 50-1000 µl

Mountable ejector adjustment clips (spacers) (F) and pipette shafts (K) with flexible tip cone enable optimized fitting accuracy and minimized ejection forces with most commonly available pipette tips.



Volume	G + G'	H	I
250 - 5000 µl	7299	7055 26	7032 47

Volume	F	K
10 - 200 µl	7055 60	7055 43
50 - 1000 µl	7055 62	7055 45