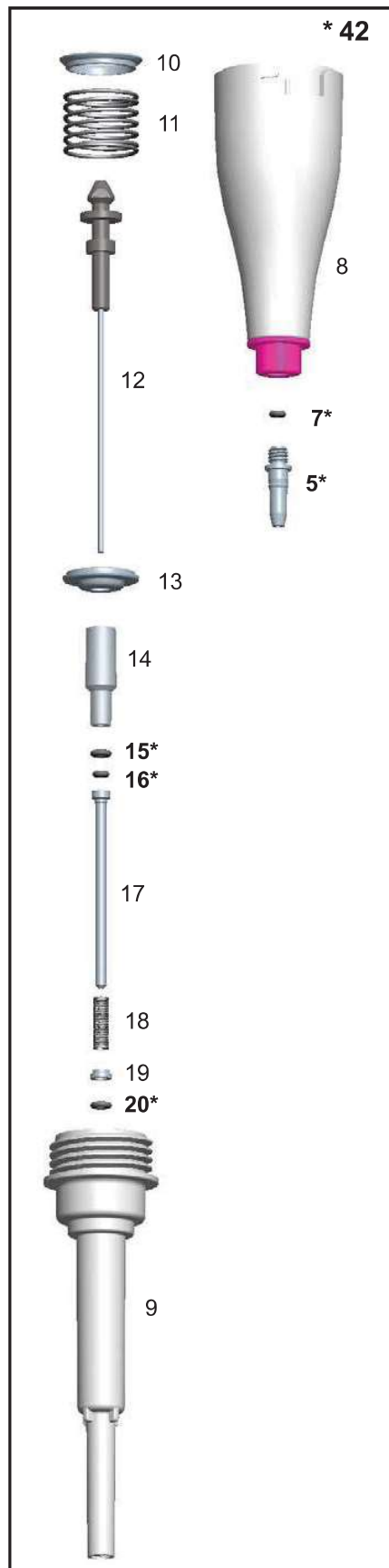


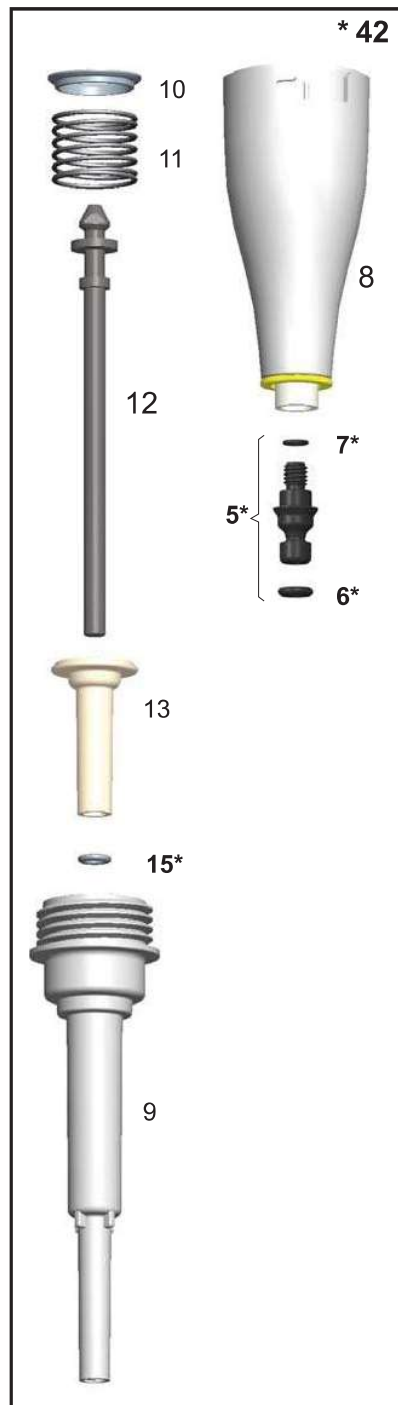
Single channel pipettes

*Available as spare part. See model specific order numbers.

0.5–12.5 μ l



2–125 μ l



0.5–12.5 μ l

- 5. 1064960
- 7. 1030060
- 15. 1030380
- 16. 1030060
- 20. 1030170
- 42. 2215610

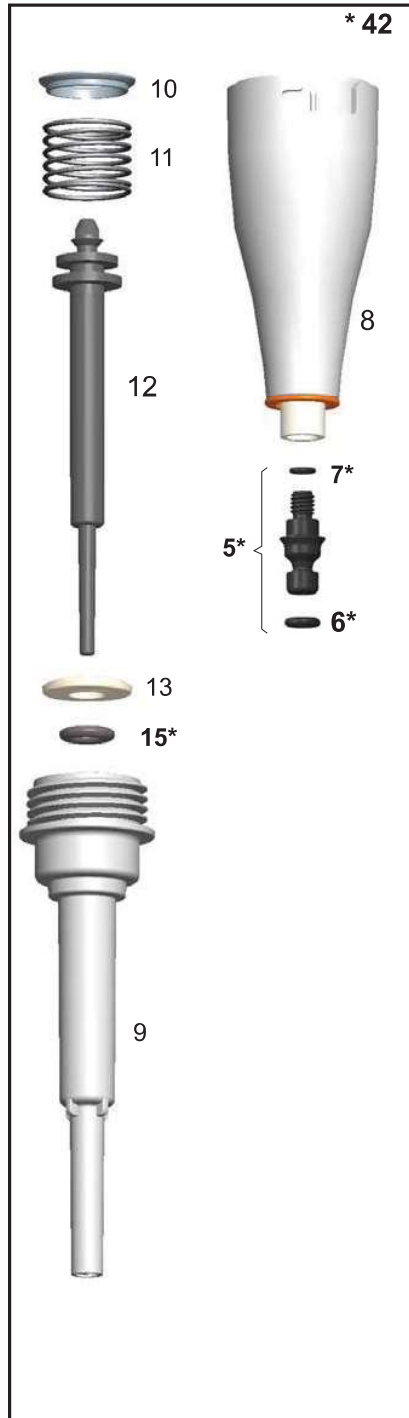
2–125 μ l

- 5. 2216160 4 pcs
- 6. 2214930 3 pcs
- 7. 1033430
- 15. 1033380
- 42. 2215590N

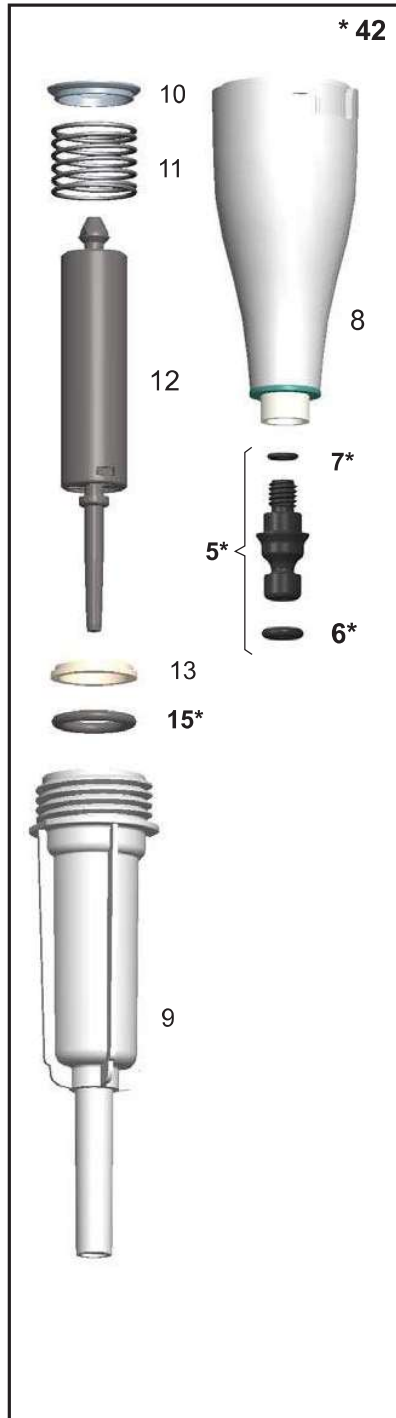


* 42. Tip cone assembly

10–300 μ l



15–1250 μ l



10–300 μ l

- 5. 2216160 4 pcs
- 6. 2214930 3 pcs
- 7. 1033430
- 15. 1033180
- 42. 2215580N

15–1250 μ l

- 5. 2216190 4 pcs
- 6. 2215540 3 pcs
- 7. 1033430
- 15. 1033420
- 42. 2215570N