

MoveIt® – Double Your Performance

Multichannel Pipettes with Adjustable Tip Spacing

Eppendorf Xplorer® plus and Eppendorf Research® plus, 4, 6, 8 and 12-channel

Adjustment knob

- > Tip spacing adjustable manually
- > Intuitive, direct, and vibration-free
- > Liquid transfers without dripping

Tubeless system

- > Reliable robustness and precision
- > Easy autoclavability*
- > Reduced maintenance requirements

Adjustable tip spacing

- > For microplates, sample tubes (1.5 and 2.0 mL), and agarose gels
- > Tip spacing freely selectable between 4.5 and 33 mm

* Xplorer plus lower part only, and Research plus fully autoclavable

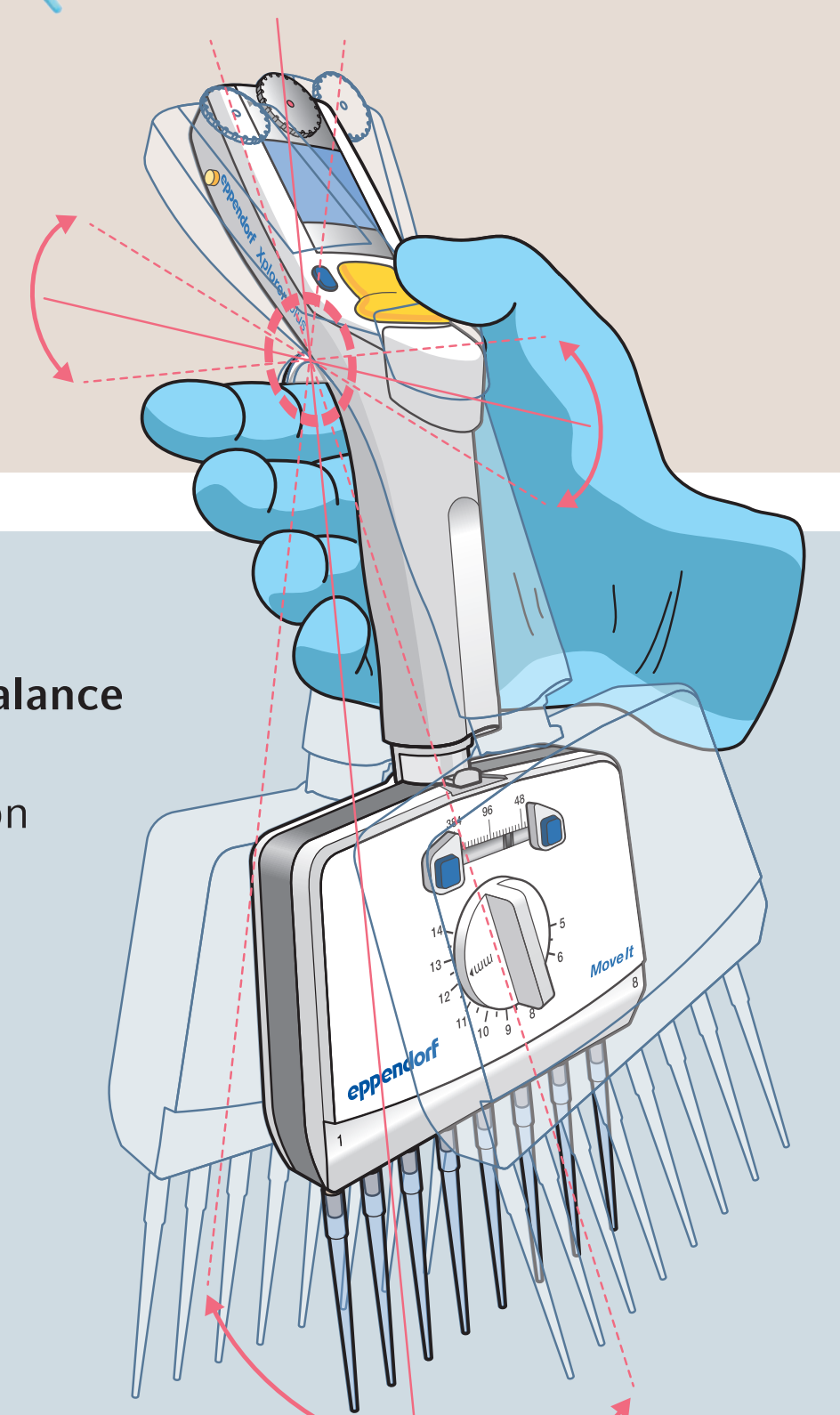


Rotatable pipette head – 360°

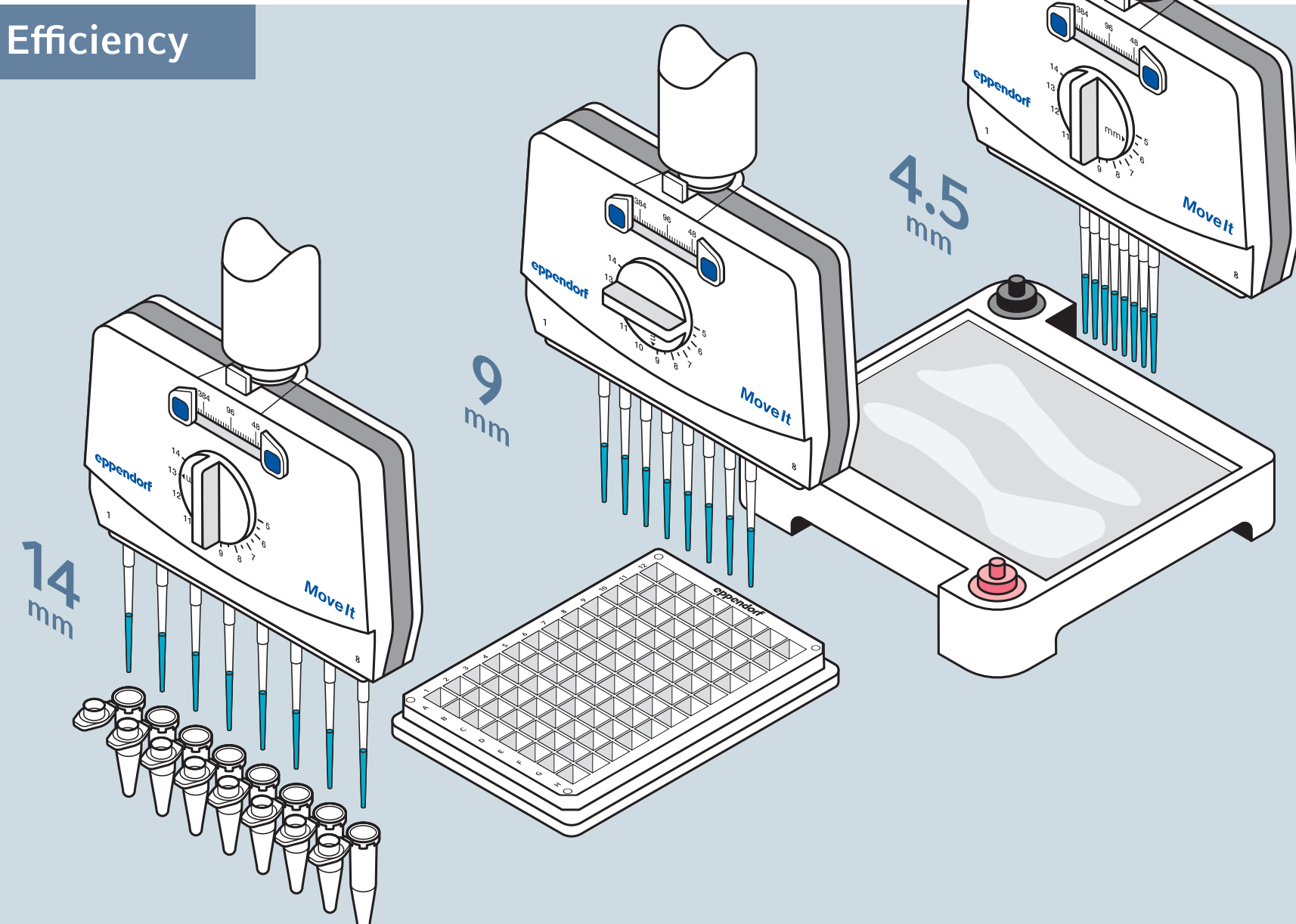
- > Comfortable readability of display
- > Ergonomic and relaxed body posture
- > Fast identification of parameters

Spacing control

- > For adjusting source and destination formats
- > Easy assignment to 384-, 96-, 48-, 24-, and 12-well plates
- > Quick switches backwards and forwards between the formats



Maximizing Efficiency



Less breaks thanks to an optimal balance

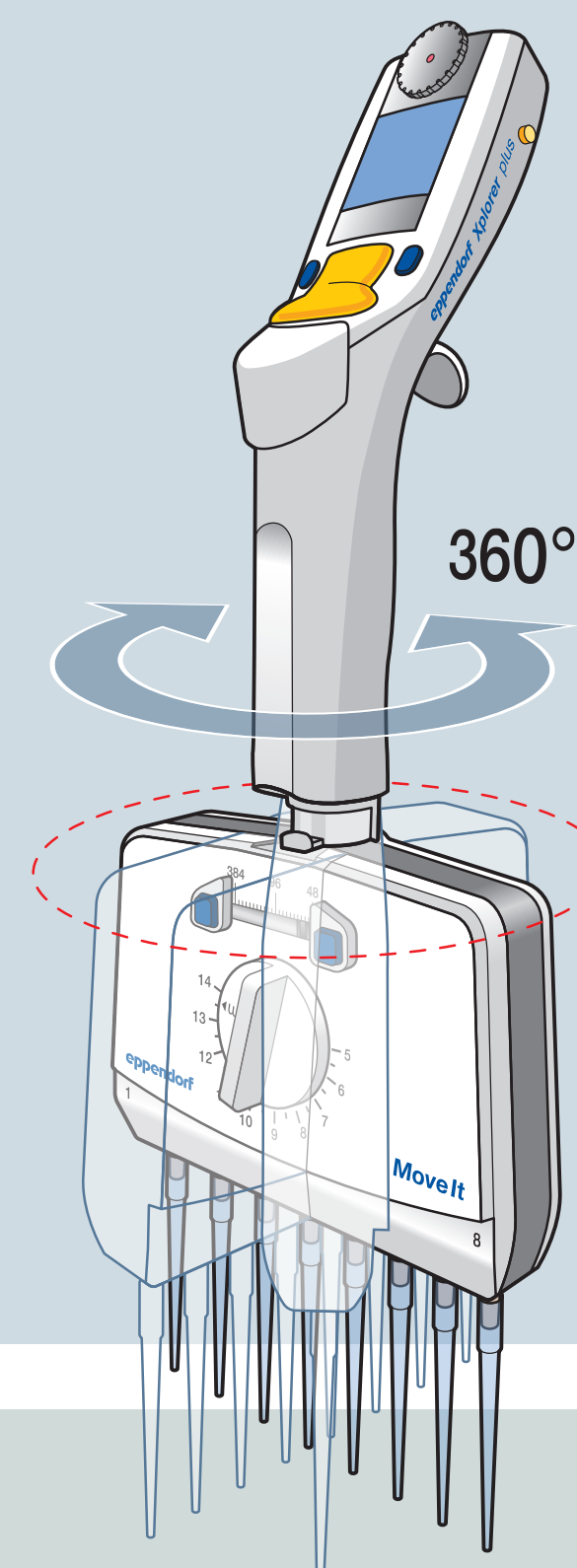
- > Reduced hand fatigue
- > Ergonomic and stress-free operation
- > Convenient visibility of tips and samples

Easy and fast format change

- Efficient sample transfers from one vessel type to another.
- > Move It can move 4-12 samples simultaneously between plates, tubes, and gels
 - > Throughput time reduced by ~50 %
 - > Reproducibility of results increased

Defined settings for quick switches

- > Pre-defined settings enable for quick switches back and forth between different formats
- > Just set the spacing control accordingly, using the indicated scale



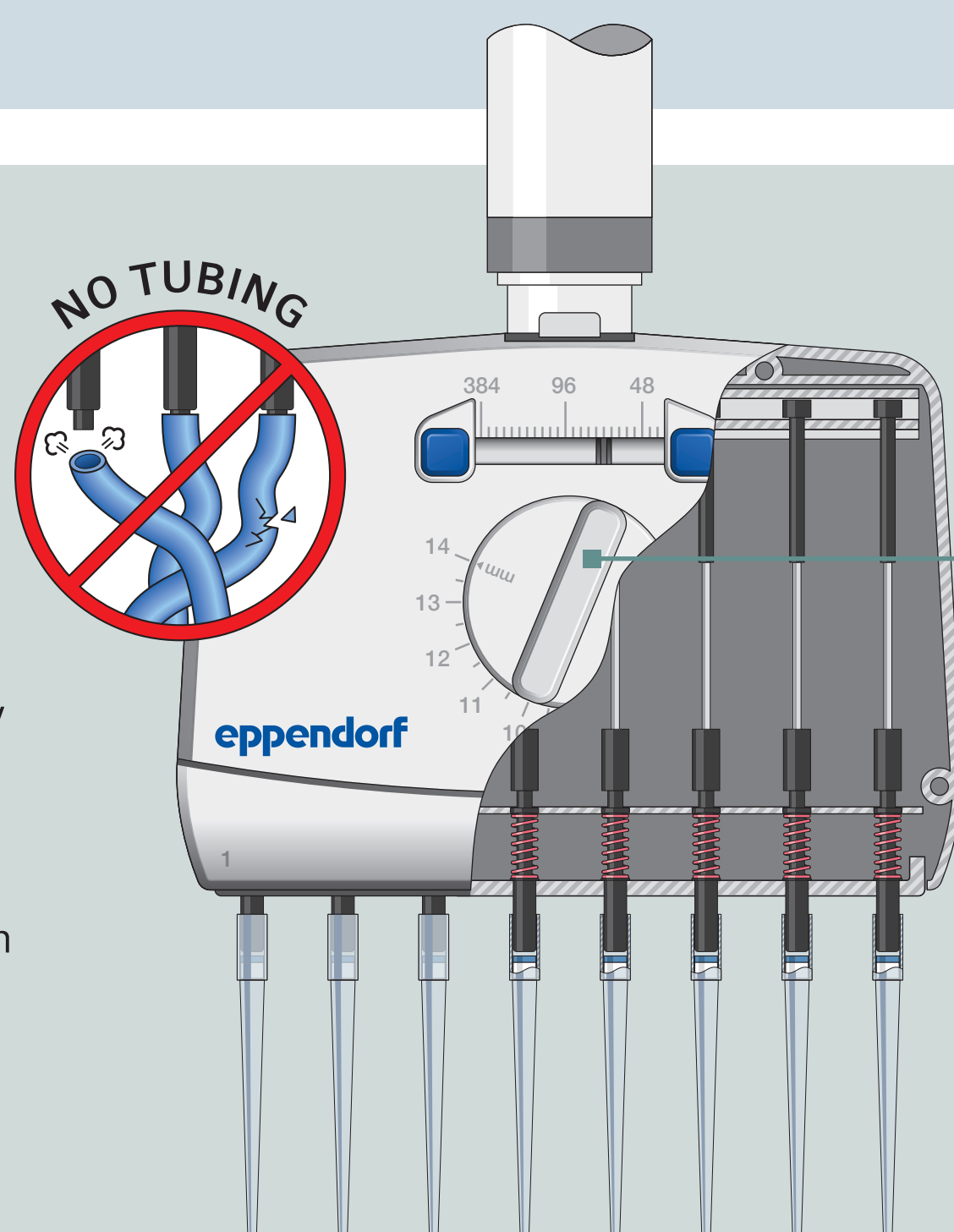
Time-saving thanks to rotatable pipette head – 360°

- > Comfortable readability of display
- > Ergonomic and relaxed body posture
- > Fast identification of parameters

Safe Sample Transfer

Tubeless system for reliability and reproducible results

- Piston cylinder system directly connected to the nose, minimizing size of air-cushion.
- > Higher stability of air-cushion temperature and thus higher precision and reproducibility
 - > Easy autoclavability* – for reduced contamination risk
 - > No cable tangle and tubing-porosity – for consistently reliable robustness and precision
 - > Less maintenance requirements



Adjustment knob

- > Format changes without vibrations
- > Liquid transfer without dripping

Example applications

- > Blood analysis
- > FACS analysis
- > Cell Based Assays
- > Cell Culture
- > ELISA
- > PCR
- > Mouse genotyping

Move It selection guide

All models are available as electronic Xplorer plus and mechanical Research plus.

Type of tips	epT.I.P.S.®			epT.I.P.S.® 384	
	4	6	8	8	12
No. of channels	4	6	8	8	12
Volume (µL)	300 / 1,200	300 / 1,200	300 / 1,200	20 / 100	20 / 100
Tip distance (mm)	9–33	9–20	9–14	4.5–14	4.5–9

* Xplorer plus lower part only, and Research plus fully autoclavable